

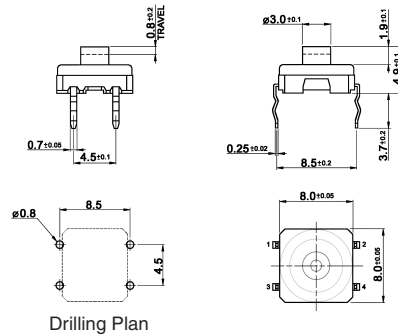
# Tact Switches

## Specifications:

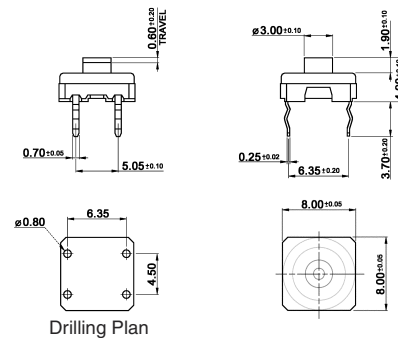
Contact rating:	42 V DC, 100 mA
Contact resistance:	< 100 mΩ
Insulation resistance:	> 100 MΩ
Dielectric strength:	250 V, 50 Hz for the duration of 1 minute
Operating temperature:	-40 °C to +80 °C
Operating force:	3.5 N ± 0.6 N
Mechanical life:	> 5 000 000 operations
Material:	Contacts: stainless steel, gold-plated Terminals: brass, gold-plated Case: thermoplastics, blue; TSSE 808: black Stem: silicone rubber
Protection:	IP 67
Mounting:	on pc-board, TSSE 808: SMD
Soldering conditions:	wave soldering – max. 10 s, max. 260 °C TSSE 808: Jedec STD-020 D (peak 10 s, 260 °C)

## Models: Switching functions

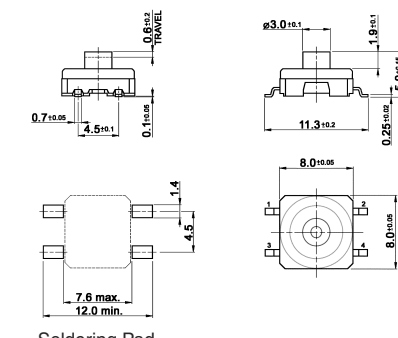
TSE 808-350 off – mom



TSE 808-350-1 off – mom



TSSE 808-350 T off – mom



## Packing:

TSE 808... 47 pieces in stick

TSSE 808... T 700 pieces/reel

Circuit diagram:

